

USA

Dust Guard



Diamond Driver Floor Plates

10" ! 13" ! 17" ! 20"

Scarify, Removal, Grind, Polish

Div. of Scott Electric • 412-605-2992 (#Direct)

USA Made Diamond Plates – Versatile

Accepts Completed Assortment of Diamond Tools (see below):
Grind, Coating Removal, Scarify, Polish Concrete.



Available in 4-Sizes — Features & Benefits:

- 3/8" steel plate, powder-coated for corrosion resistance and easy cleaning
- Damping Isolators - reduces vibrations, provides flex over high points and lippage
- Diamonds - accepts 3" round diamonds and standard 3-hole trapezoid tools - all held securely in place by milled recesses and industrial magnets
- Includes round and trapezoid steel blanks that fit in the unused recesses to prevent them from filling with debris
- Clutch Plate (right) - HD Metal, Industry Standard 3-Tab Key-way Clutch Plate secures the plates to the grinder.



\$332.59 – 10" Diamond Driver Plate
Tooling Slots: (3) Round, 11 lbs, #CLAW10

\$500.43 – 13" Diamond Driver Plate
Tooling Slots: (3) Round, (3) Trap., 18 lbs, #CLAW13

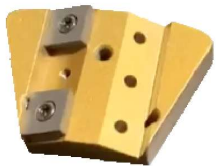
\$631.90 – 17" Diamond Driver Plate
Tooling Slots: (6) Round, (6) Trap., 30 lbs, #CLAW17

\$698.45 – 20" Diamond Driver Plate
Tooling Slots: (3) Round, (3) Trap., 39 lbs, #CLAW20

DIAMOND TOOLING

Scrape, Scarify, Grind, Removal, Polish, Restore

[< Click here for Trapezoid & Resin Pad pricing >](#)



Carbide Scraper



2-Bar Diamond



2-Round Diamond



2-PCD Diamond Bar



1-PCD



Resin Pads

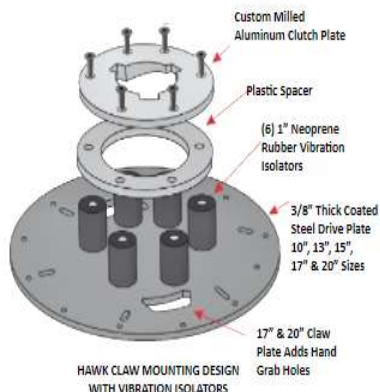
SCARIFY

CONCRETE GRINDING

COATING REMOVAL

POLISHING

USA Engineered Plate: Attaches to the industry standard 3-tab clutch (universal), accepts a complete assortment of diamond tooling to handle all restoration, polishing and maintenance of concrete & stone.



Recess & Magnetic Tool Slots

